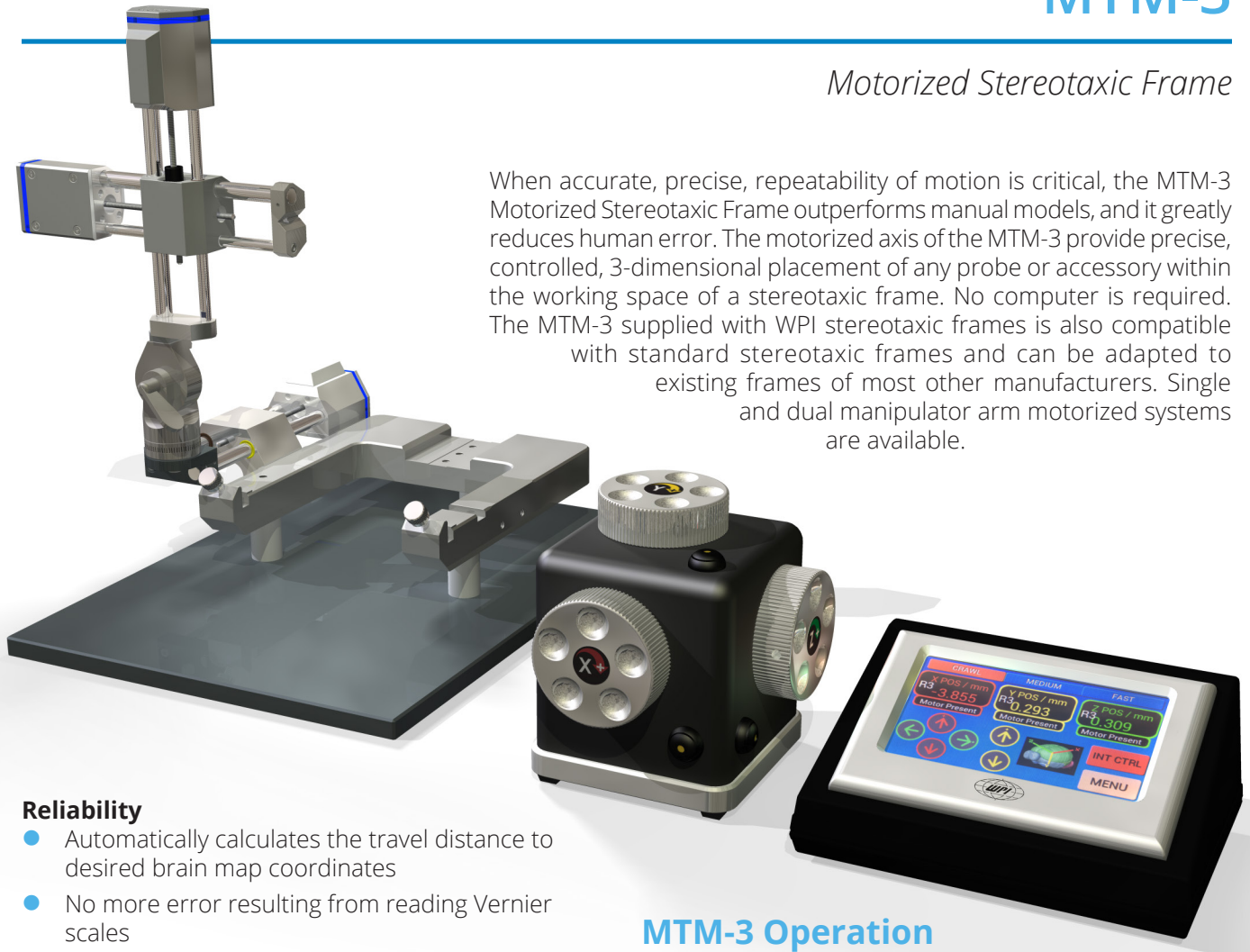




## MTM-3

### Motorized Stereotaxic Frame



When accurate, precise, repeatability of motion is critical, the MTM-3 Motorized Stereotaxic Frame outperforms manual models, and it greatly reduces human error. The motorized axis of the MTM-3 provide precise, controlled, 3-dimensional placement of any probe or accessory within the working space of a stereotaxic frame. No computer is required. The MTM-3 supplied with WPI stereotaxic frames is also compatible with standard stereotaxic frames and can be adapted to existing frames of most other manufacturers. Single and dual manipulator arm motorized systems are available.

#### Reliability

- Automatically calculates the travel distance to desired brain map coordinates
- No more error resulting from reading Vernier scales

#### Increased Precision and Repeatability of motion over traditional manual stereotaxic frames

- Better than 10 $\mu$ m accuracy with microstepping motor drive for high resolution placement
- Coordinate distances are automatically calculated

#### Increased Convenience, decreased error measurement

- Brain atlas coordinates can be input into the controller, no computer required
- Touch screen for ease of control
- Graphic controller display for instant operational feedback
- Set the "final approach" speed between 2mm/sec and 0.02mm/sec

#### MTM-3 Operation

##### Manual mode

- Move the actuator using the touch panel or the intuitive (tactile) manual 3-axis wheel controller
- Individual axes may be easily disabled/enabled to ensure motion on only the desired axis
- Controller allows for three different speed sensitivity levels

##### Coordinates mode

- Travel to position(s) based on input coordinates.
- Specify retracted position
- Store three origin definitions (references)
- Probe position may be displayed with respect to any of the references, as well as absolute coordinates

# MTM-3

## Motorized Stereotaxic Frame

- Position plot cursor graphically represents the actuator arm position with respect to any of the stored references
- All functions are accomplished without the use of a computer (computer interface available, if desired)

### Optional Computer Control

- Remote computer control through a USB port
- Text based command set provided
- Use a terminal program to create simple scripts for repetitive operations

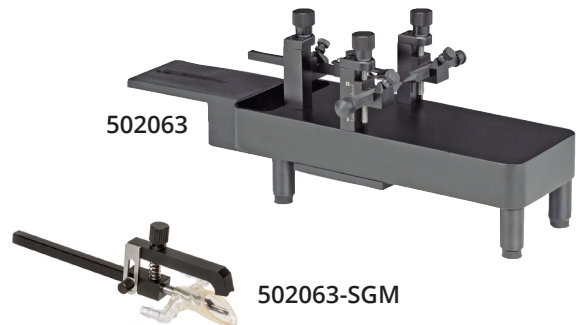
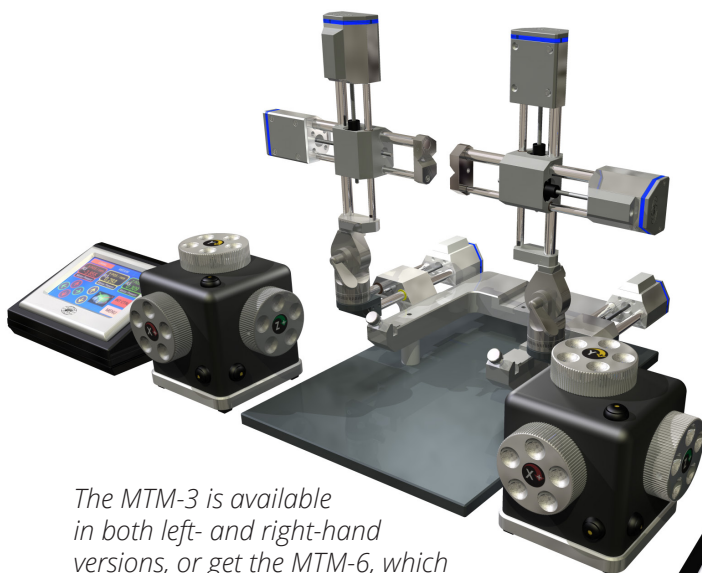
## MTM-3 Options

Your system may be configured with one of the following items:

- Pair of 18° Rat Ear Bars
- Pair of 45° Rat Ear Bars
- Mouse Adapter/Toothbar (no ear bars)
- Rat Adapter with 18° ear bars

## Optional Accessories

502063	Mouse/Neonatal Rat Adapter
502053	Anesthesia Masks for Mice
502054	Anesthesia Mask for Rats
502063-SGM	Anesthesia Facemask/Tooth Bar for use with the 502063 Adapter (Small/Medium)
502070	Cannula Holder, metal tip, opens to 3.4mm
502256	Cannula Holder, plastic tip, opens to 3.4mm
502055	Ear Bars, Rat, 18°
502056	Ear Bars, Rat, 45°
502224	Ear Bars, Cat, 18°
503598	Micro-Drill, 35K rpm, 110/220VAC, w/ a set of bits
503599	Micro-Drill, 35K rpm, 240VAC
502237	Extra Large Holder for OmniDrill35 Microdrill
502225	Ear Bars, Cat, 45°
502235	Ear Bars, Mouse, 60°. Non-rupture
502242	Ear Bars, Rat, Hollow. 1.5mm hole for auditory stimulation



<b>MTM-3</b>	3-Axis Stereotaxic Controller (Left or Right)
<b>MTM-6</b>	6-Axis Stereotaxic Controller (Left and Right)
<b>MTM</b>	3-Axis Stereotaxic Arm and Controller only (L or R)

The MTM-3 is available in both left- and right-hand versions, or get the MTM-6, which includes both manipulator arms and dual controllers.



## WORLD PRECISION INSTRUMENTS, INC.

**USA:** International Trade Center, 175 Sarasota Center Boulevard, Sarasota FL 34240-9258 USA  
**Tel:** 941-371-1003 • **Fax:** 941-377-5428 • **E-mail:** wpi@wpiinc.com • **Internet:** www.wpiinc.com

**UK:** 1 Hunting Gate, Hitchin, Hertfordshire SG4 0TJ England • **Tel:** 44 (0)1462 424700 • **E-mail:** wpiuk@wpi-europe.com

**Germany:** Zossener Str. 55, 10961 Berlin, Germany • **Tel:** 030-6188845 • **Fax:** 030-6188670 • **E-mail:** wpide@wpi-europe.com

**China & Hong Kong:** Rm 29a, No8 Donfang Rd., Pudong District, Shanghai 200120 PRC • **Tel:** +86 688 85517 • **E-mail:** ChinaSales@china.wpiinc.com

**Brazil:** Conselheiro Nabias, 756 sala2611, Santos-Sao Paulo 11045-002 Brazil • **E-mail:** info@brazil.wpiinc.com