



Lab-Trax-4/24T

*4-channel data acquisition hardware for use with
Data-Trax™ data recording and analysis software*

www.wpiinc.com



World Precision Instruments, Inc.

USA

International Trade Center, 175 Sarasota Center Blvd., Sarasota FL 34240-9258
Tel: 941-371-1003 • Fax: 941-377-5428 • E-mail: sales@wpiinc.com

UK

Astonbury Farm Business Centre • Aston, Stevenage, Hertfordshire SG2 7EG
Tel: 01438-880025 • Fax: 01438-880026 • E-mail: wpiuk@wpi-europe.com

Germany

Liegnitzer Str. 15, D-10999 Berlin
Tel: 030-6188845 • Fax: 030-6188670 • E-mail: wpide@wpi-europe.com

Internet

www.wpiinc.com • www.wpi-medical.com
www.nitricoxide.net • www.pipetter.com

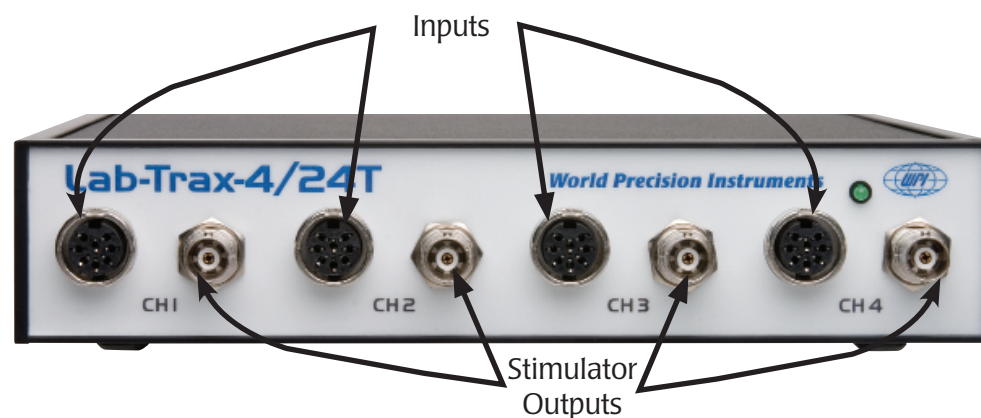
HARDWARE MANUAL

Serial No. _____

About Your Warranty

This instrument has a limited warranty. To ensure that you receive all notices regarding hardware changes, improvements or recalls as well as software updates if applicable, please complete the warranty registration for this product.

101508



Lab-Trax™ 4/24T is a 4-channel recorder that provides the high resolution and sensitivity required for cardiovascular/hemodynamic research, organ and tissue bath studies, oocyte clamp and epithelial voltage clamp applications. Each channel is independent, with its own 24-bit analog-to-digital converter. This provides much higher resolution and sensitivity over conventional recorders.

In addition, each channel input is equipped with the appropriate filters and amplification required. This makes the **Lab-Trax™ 4/24T** recorder a space-efficient “one box” solution. Setup is plug-and-play easy with connection to PC or Mac computers via the popular USB interface.

Included Items

The **Lab-Trax 4/24T** is shipped with the following:

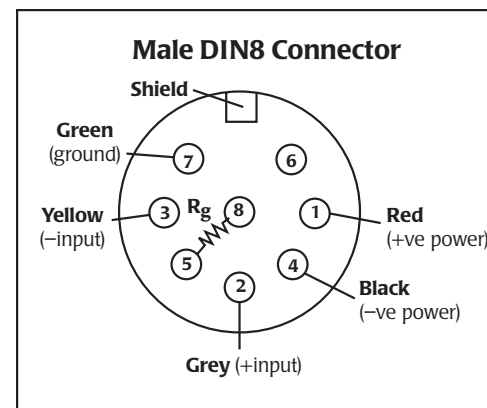
- USB Cable
- Data-Trax2™ Installation CD
(Software manual is PDF file on CD, or select “Help” from Data-Trax2 menu)
- Hardware Instruction Sheet

If any items are missing, they should be reported to WPI within 10 days of receipt.

Optional Cable

The Lab-Trax4/24T is capable of recording 'single-ended' output voltages with the use of an adaptor cable (WPI# 300344). The cable converts the 8-pin DIN input on the LabTrax 4/24T into a male BNC connector. Use this five-foot cable to connect the 8-pin DIN connector to the Lab-Trax4/24 and the standard BNC to an amplifier.

Connector Pin-out



The gain resistor, R_g , sets the gain of the transducer amplifier. See Table 1 below for the required resistance values to set the gain. If no gain resistor is installed, the gain is x1.

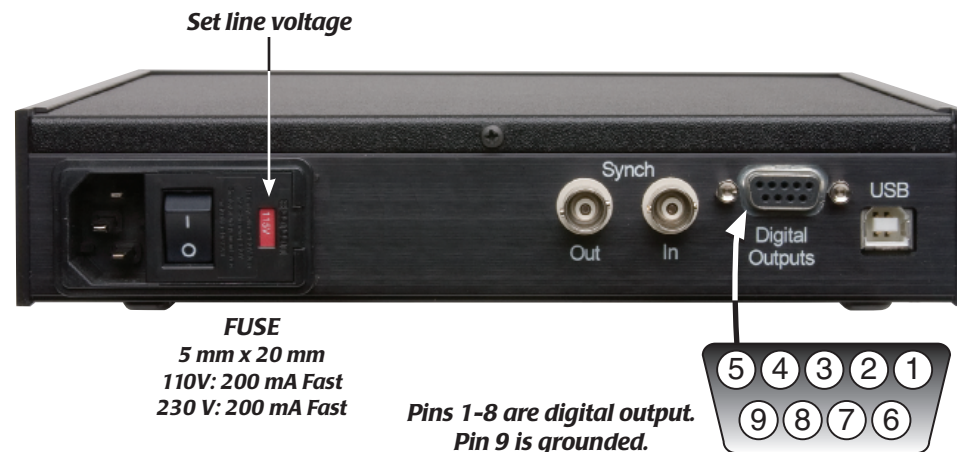
Do not use the power connectors to power anything other than a transducer such as **BLPR2** or **FORT25**.

$$R_g = \frac{49400}{G - 1}$$

R_g = Gain Resistor
 G = Gain

- DIN8 Connector Wiring
- pin 1 – positive power, +5V (red)
 - pin 2 – positive input (grey)
 - pin 3 – negative input (yellow)
 - pin 4 – negative power, -5V (black)
 - pin 5 – R_g (Gain Resistor)
 - pin 6 – NC
 - pin 7 – ground (green)
 - pin 8 – R_g (Gain Resistor)

Gain Req'd	Resistor
x2	49.4 KOhm
x10	5.49 KOhm
x100	499 Ohm
x250	198 Ohm
x500	99 Ohm
x1000	49 Ohm
x5000	10 Ohm



Setting Up

- 1 Install software first!**
- 2** Connect the **Lab-Trax 4/24** to the PC via the USB cable.
- 3** Install drivers using the Operating System Wizard.
- 4** Launch software.

Warranty

WPI (World Precision Instruments, Inc.) warrants to the original purchaser that this equipment, including its components and parts, shall be free from defects in material and workmanship for a period of one year* from the date of receipt. WPI's obligation under this warranty shall be limited to repair or replacement, at WPI's option, of the equipment or defective components or parts upon receipt thereof f.o.b. WPI, Sarasota, Florida U.S.A. Return of a repaired instrument shall be f.o.b. Sarasota.

The above warranty is contingent upon normal usage and does not cover products which have been modified without WPI's approval or which have been subjected to unusual physical or electrical stress or on which the original identification marks have been removed or altered. The above warranty will not apply if adjustment, repair or parts replacement is required because of accident, neglect, misuse, failure of electric power, air conditioning, humidity control, or causes other than normal and ordinary usage.

To the extent that any of its equipment is furnished by a manufacturer other than WPI, the foregoing warranty shall be applicable only to the extent of the warranty furnished by such other manufacturer. This warranty will not apply to appearance terms, such as knobs, handles, dials or the like.

WPI makes no warranty of any kind, express or implied or statutory, including without limitation any warranties of merchantability and/or fitness for a particular purpose. WPI shall not be liable for any damages, whether direct, indirect, special or consequential arising from a failure of this product to operate in the manner desired by the user. WPI shall not be liable for any damage to data or property that may be caused directly or indirectly by use of this product.

Claims and Returns

- Inspect all shipments upon receipt. Missing cartons or obvious damage to cartons should be noted on the delivery receipt before signing. Concealed loss or damage should be reported at once to the carrier and an inspection requested. All claims for shortage or damage must be made within 10 days after receipt of shipment. Claims for lost shipments must be made within 30 days of invoice or other notification of shipment. Please save damaged or pilfered cartons until claim settles. In some instances, photographic documentation may be required. Some items are time sensitive; WPI assumes no extended warranty or any liability for use beyond the date specified on the container.
- WPI cannot be held responsible for items damaged in shipment en route to us. Please enclose merchandise in its original shipping container to avoid damage from handling. We recommend that you insure merchandise when shipping. The customer is responsible for paying shipping expenses including adequate insurance on all items returned.
- Do not return any goods to WPI without obtaining prior approval and instructions (RMA#) from our returns department. Goods returned unauthorized or by collect freight may be refused. The RMA# must be clearly displayed on the outside of the box, or the package will not be accepted. Please contact the RMA department for a request form.
- Goods returned for repair must be reasonably clean and free of hazardous materials.
- A handling fee is charged for goods returned for exchange or credit. This fee may add up to 25% of the sale price depending on the condition of the item. Goods ordered in error are also subject to the handling fee.
- Equipment which was built as a special order cannot be returned.
- Always refer to the RMA# when contacting WPI to obtain a status of your returned item.
- For any other issues regarding a claim or return, please contact the RMA department.

Warning: This equipment is not designed or intended for use on humans.

** Electrodes, batteries and other consumable parts are warranted for 30 days only from the date on which the customer receives these items.*