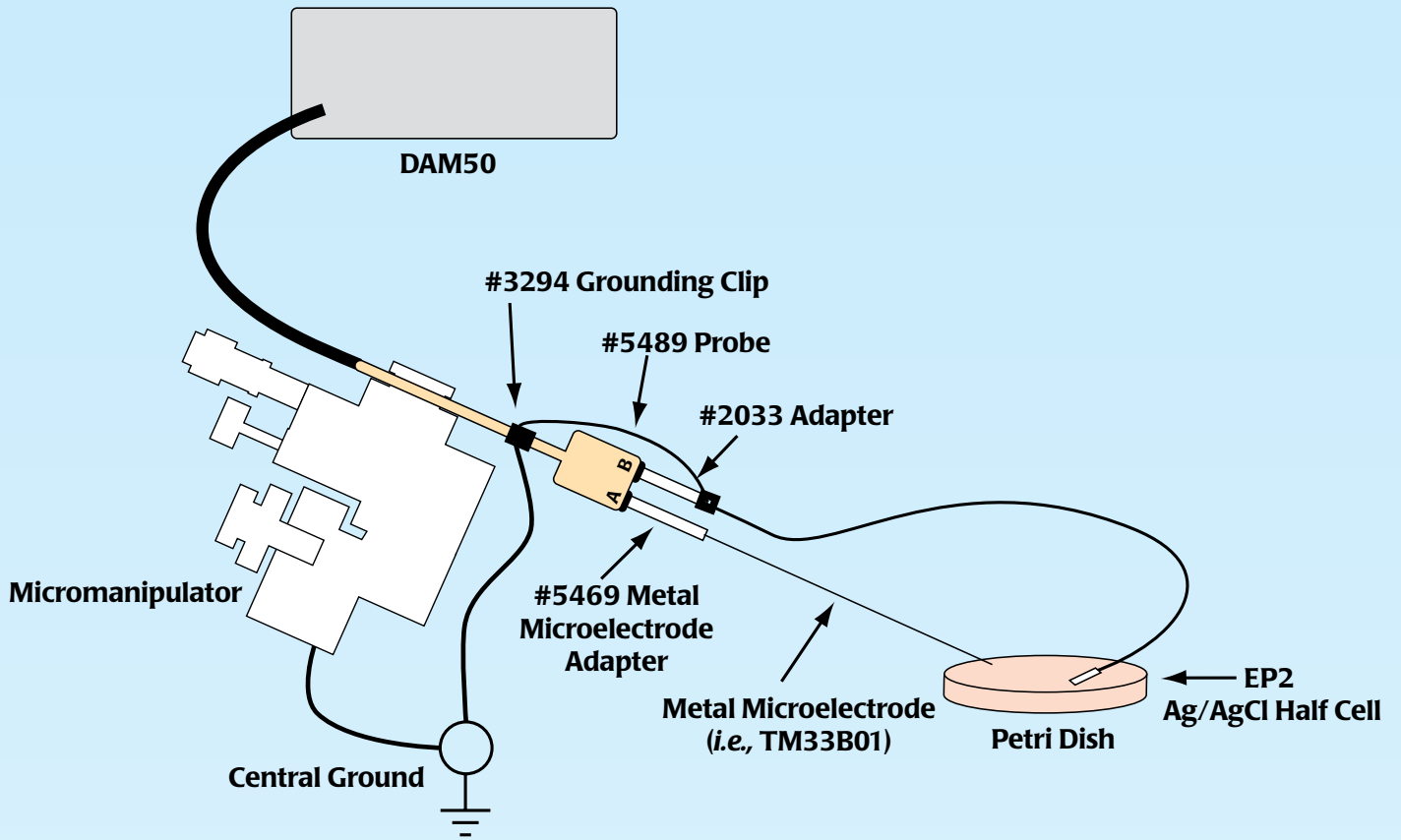
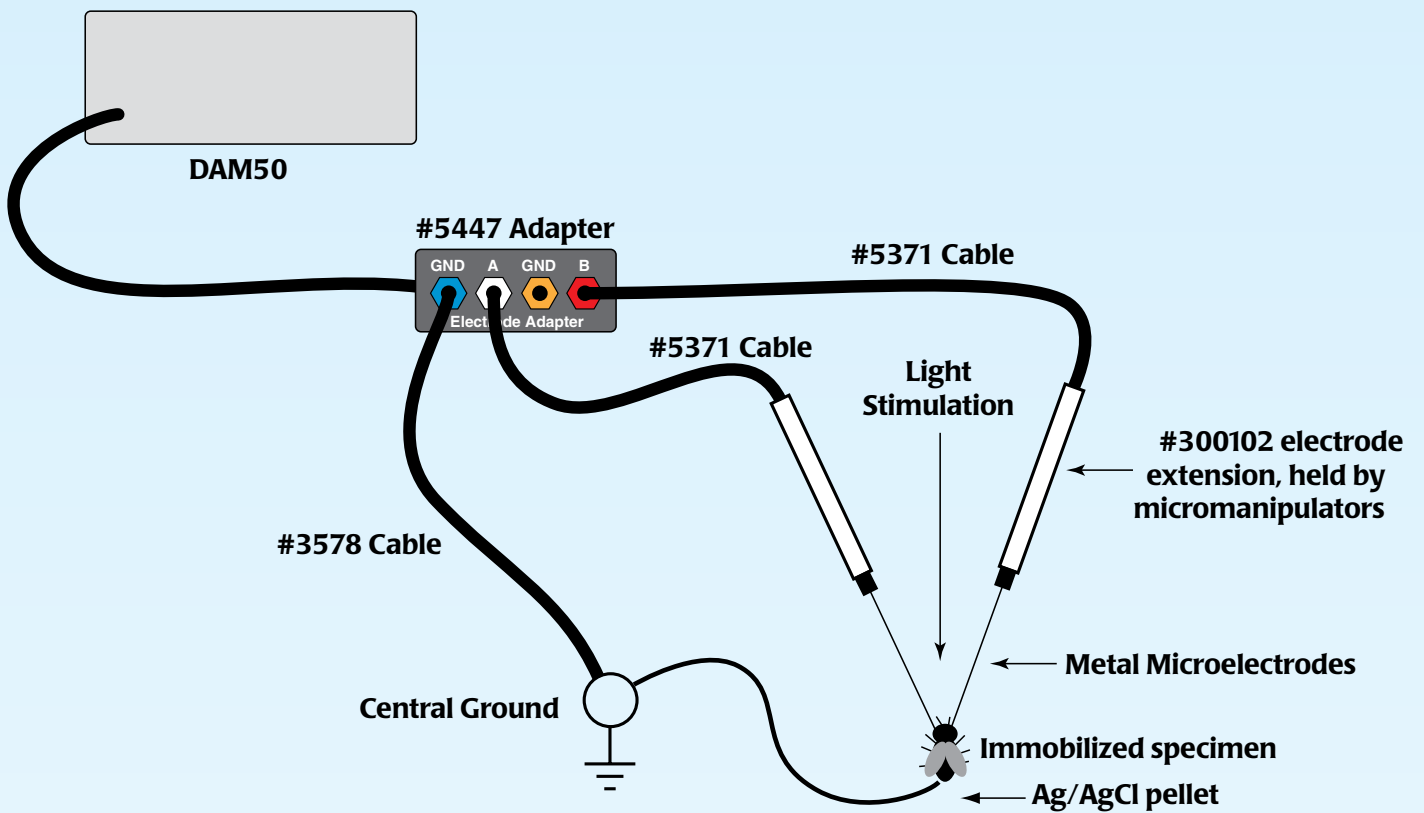


Application Examples



Extracellular recording using metal microelectrode



ERG recording of fly eyes