

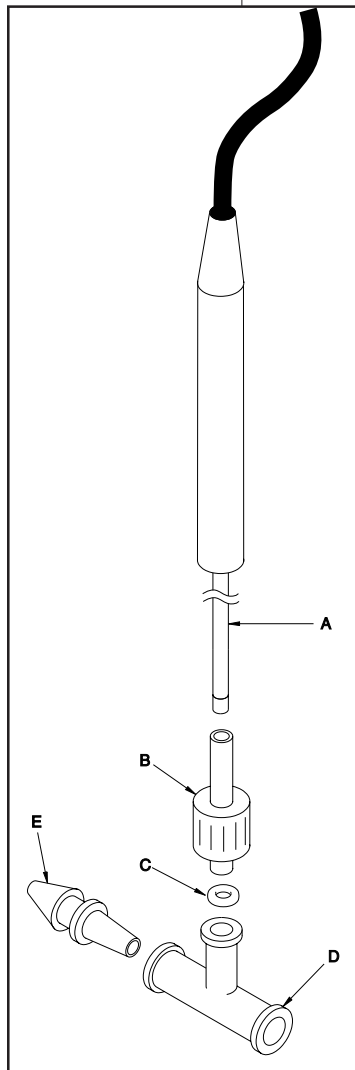


Flow-Thru T-Adapter

Monitor oxygen and nitric oxide levels in flowing liquid or gas

Flow-Thru T-Adapter #5399 may be used for continuous-flow monitoring of oxygen with WPI's **OXEL-1** oxygen probe or for nitric oxide with WPI's **ISO-NOP** probe. The small tip and fast response time of these sensors allows continuous-flow monitoring of oxygen or nitric oxide in a small amount of fluid.

Fig. 1



Instructions

1. Pass the stainless steel sleeve of the probe (Fig. 1, **A**) through the **OXEL-1** or **ISO-NOP** male Luer Lock adapter (**B**).
2. Mount "O" ring (**C**) gently onto the stainless steel sleeve (**A**), about 5 mm from tip.
3. Insert the stainless steel sleeve (**A**) into the T fitting (**D**). As it is inserted, the bottom of the Luer Lock adapter (**B**) will push the "O" ring (**C**) into the T fitting. Gently twist the adapter to lock it onto the T fitting. The position of the electrode tip in the T fitting can be adjusted by gently pushing or pulling the stainless steel sleeve.

The slip-type Luer fittings (**E**)

are used to connect tubing to the two ports of the T fitting. A completed assembly for continuous-flow monitoring of oxygen or nitric oxide is shown in Fig. 2. To disassemble the T-Adapter from the probe, simply reverse the order of the steps mentioned above.

Parts List

The Flow-Thru T-Adapter consists of:

Part #	Item
3742	T Fitting (3)
13481	O-ring (3)
3579	Slip-Type Male Luer Lock Adapter (6)
15504	OXEL-1 Male Luer Lock Adapter (3)
300098	ISO-NOP Male Luer Lock Adapter (3)

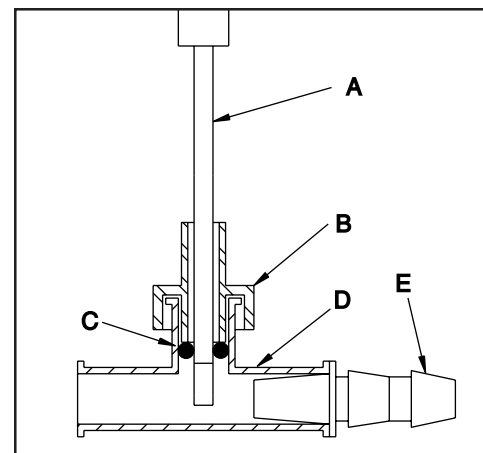


Fig. 2



Flow-Thru T-Adapter

Warranty

WPI (World Precision Instruments, Inc.) warrants to the original purchaser that this equipment, including its components and parts, shall be free from defects in material and workmanship for a period of one year* from the date of receipt. WPI's obligation under this warranty shall be limited to repair or replacement, at WPI's option, of the equipment or defective components or parts upon receipt thereof f.o.b. WPI, Sarasota, Florida U.S.A. Return of a repaired instrument shall be f.o.b. Sarasota.

The above warranty is contingent upon normal usage and does not cover products which have been modified without WPI's approval or which have been subjected to unusual physical or electrical stress or on which the original identification marks have been removed or altered. The above warranty will not apply if adjustment, repair or parts replacement is required because of accident, neglect, misuse, failure of electric power, air conditioning, humidity control, or causes other than normal and ordinary usage.

To the extent that any of its equipment is furnished by a manufacturer other than WPI, the foregoing warranty shall be applicable only to the extent of the warranty furnished by such other manufacturer. This warranty will not apply to appearance terms, such as knobs, handles, dials or the like.

WPI makes no warranty of any kind, express or implied or statutory, including without limitation any warranties of merchantability and/or fitness for a particular purpose. WPI shall not be liable for any damages, whether direct, indirect, special or consequential arising from a failure of this product to operate in the manner desired by the user. WPI shall not be liable for any damage to data or property that may be caused directly or indirectly by use of this product.

Claims and Returns

Inspect all shipments upon receipt. Missing cartons or obvious damage to cartons should be noted on the delivery receipt before signing. Concealed loss or damage should be reported at once to the carrier and an inspection requested. All claims for shortage or damage must be made within ten (10) days after receipt of shipment. Claims for lost shipments must be made within thirty (30) days of receipt of invoice or other notification of shipment. Please save damaged or pilfered cartons until claim is settled. In some instances, photographic documentation may be required. Some items are time-sensitive; WPI assumes no extended warranty or any liability for use beyond the date specified on the container

Do not return any goods to us without obtaining prior approval and instructions from our Service Department. Goods returned (unauthorized) by collect freight may be refused. Goods accepted for restocking will be exchanged or credited to your WPI account. Goods returned which were ordered by customers in error are subject to a 25% restocking charge. Equipment which was built as a special order cannot be returned.

Repairs

Contact our Service Department for assistance in the repair of apparatus. Do not return goods until instructions have been received. Returned items must be securely packed to prevent further damage in transit. The Customer is responsible for paying shipping expenses, including adequate insurance on all items returned for repairs. Identification of the item(s) by model number, name, as well as complete description of the difficulties experienced should be written on the repair purchase order and on a tag attached to the item.

Warning: This equipment is not designed or intended for use on humans.

** Electrodes, batteries and other consumable parts are warranted for 30 days only from the date on which the customer receives these items.*

Copyright © 2001 by World Precision Instruments, Inc. All rights reserved. No part of this publication may be reproduced or translated into any language, in any form, without prior written permission of World Precision Instruments, Inc.

World Precision Instruments, Inc.

USA: International Trade Center, 175 Sarasota Center Boulevard, Sarasota FL 34240-9258 USA
Tel: 941-371-1003 • Fax: 941-377-5428 • E-mail: sales@wpiinc.com • Internet: <http://www.wpiinc.com>

UK: Astonbury Farm Business Centre • Aston, Stevenage, Hertfordshire SG2 7EG England • Tel: 01438-880025 • Fax: 01438-880026 • E-mail: wpiuk@wpi-europe.com

Germany: Liegnitzer Str. 15, D-10999 Berlin, Germany • Tel: 030-6188845 • Fax: 030-6188670 • E-mail: wpide@wpi-europe.com

Japan: 3-6-14-202 Kasumigaseki, Chiyoda, Tokyo 100-0013, Japan • Tel: 81-3-3592-4500 • Fax: 81-3-3592-4540 • E-mail: info@wpi-j.com

Australia: P.O. Box 1191, Glen Waverley, Victoria 3150, Australia • Tel: (03) 9887-6262 • Fax: (03) 9887-9585 • E-mail: wpi.au@ozemail.com.au